

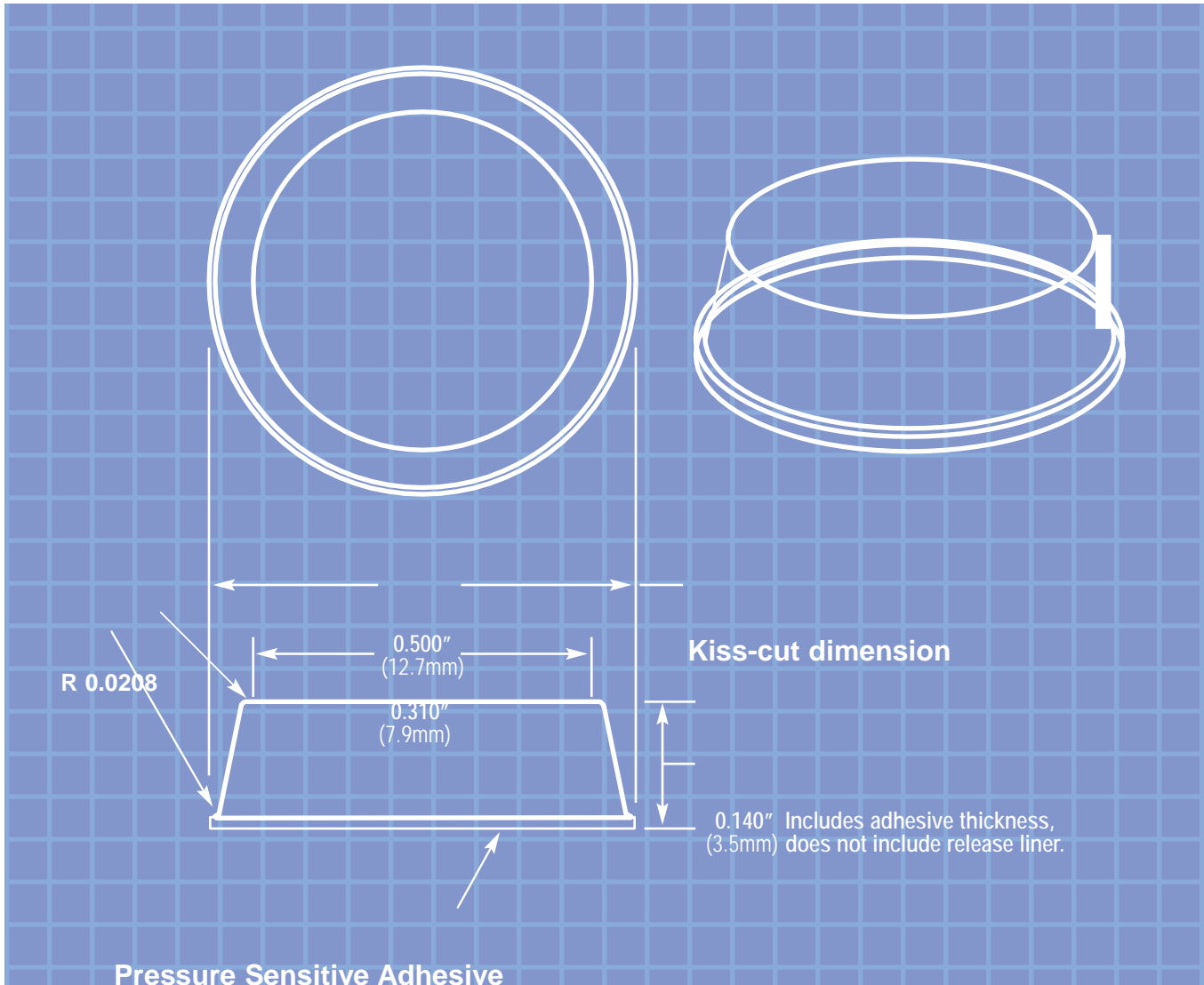
# WNC Supply, LLC

37841 N 16<sup>TH</sup> Street, Phoenix, Arizona 85086, USA

Phone: 623-594-4602 or Toll Free 1-800-538-5108

Fax: 623-594-3769 [www.wncsupply.com](http://www.wncsupply.com)

email: sales@wncsupply.com



## BS-1R Mechanical



Actual Size

### General Specifications

Material: Polyurethane  
Pressure Sensitive Adhesive: Acrylic -or- Synthetic Rubber  
Durometer, Shore A: 60-70 Standard & 50-55 Softer Durometer  
Tolerance:  $\pm 0.02$ " (.5mm)

Pad Size: 6" x 12"  
Per Pad: 200 Pieces — 10 across x 20 down  
Per Box: 5,000 Pieces — 25 Pads  
Colors: Clear, Black, Brown, White & Gray