

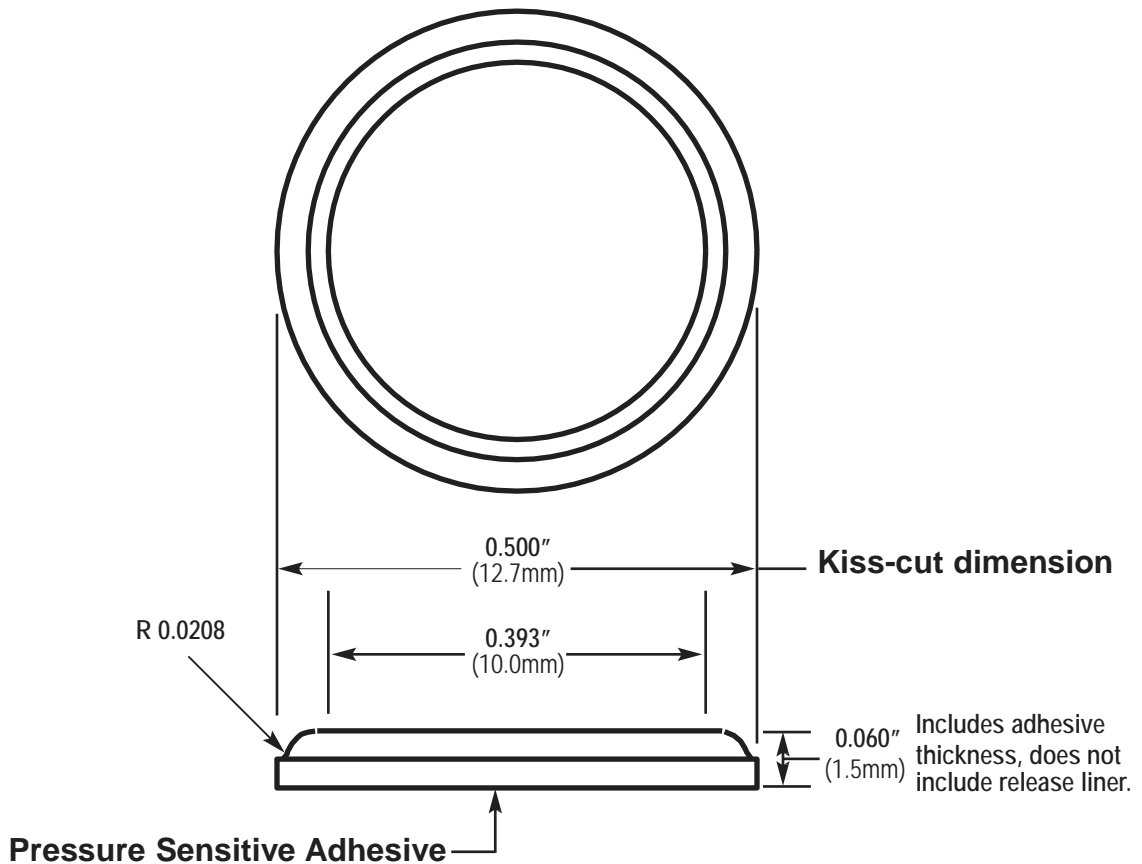
WNC Supply, LLC

37841 N 16TH Street, Phoenix, Arizona 85086, USA

Phone: 623-594-4602 or Toll Free 1-800-538-5108

Fax: 623-594-3769 www.wncsupply.com

email: sales@wncsupply.com



BS-5 Mechanical


Actual Size

General Specifications

Material: Polyurethane	Pad Size: 6" x 12"
Pressure Sensitive Adhesive: Acrylic -or- Synthetic Rubber	Per Pad: 200 Pieces — 10 across, 20 down
Durometer, Shore A: 60-70 Standard & 50-55 Softer Durometer	Per Box: 5,000 Pieces, 25 Pads
Tolerance: ±0.02" (.5mm)	Colors: Clear & Black