

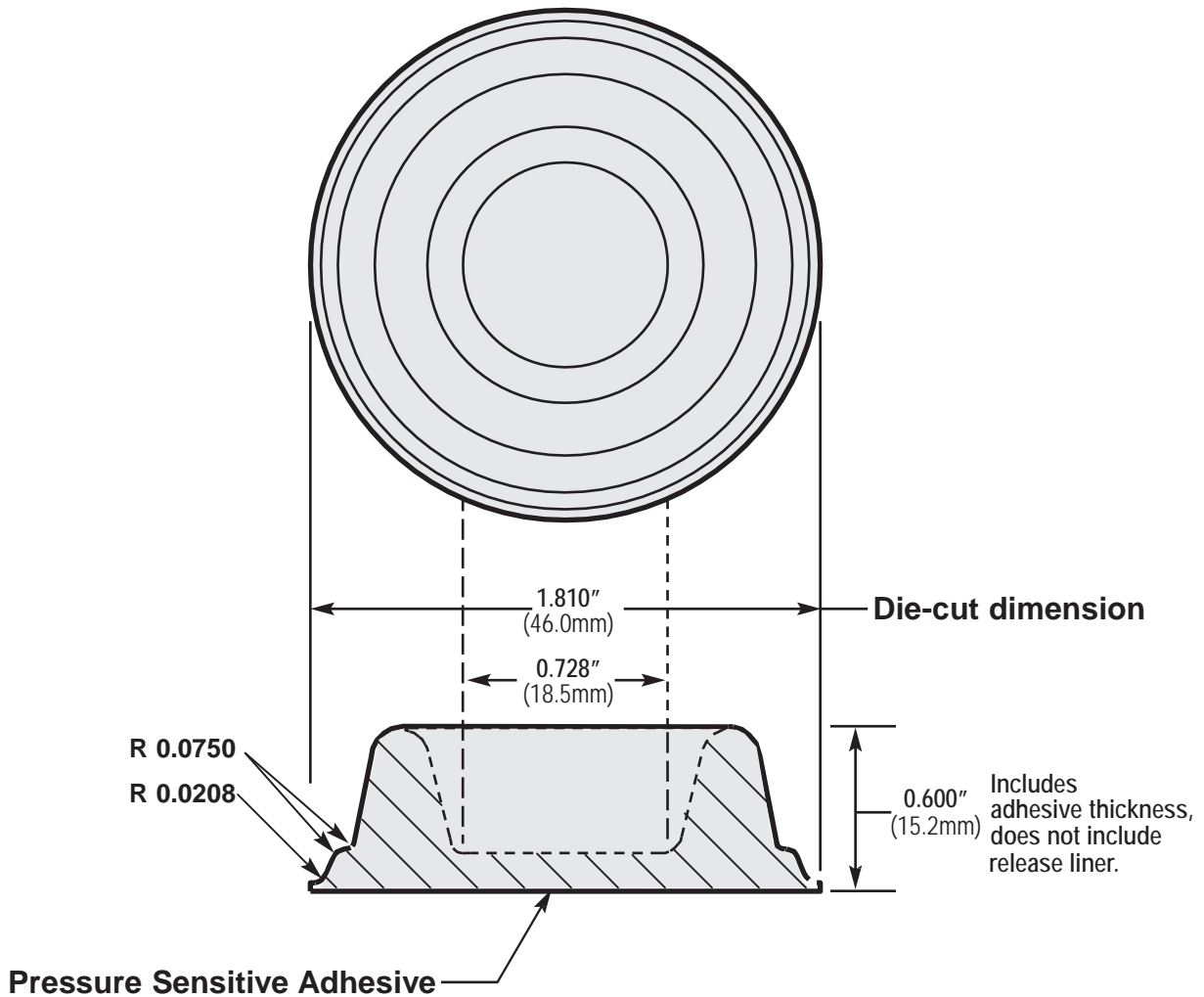
# WNC Supply, LLC

37841 N 16<sup>TH</sup> Street, Phoenix, Arizona 85086, USA

Phone: 623-594-4602 or Toll Free 1-800-538-5108

Fax: 623-594-3769 [www.wncsupply.com](http://www.wncsupply.com)

email: [sales@wncsupply.com](mailto:sales@wncsupply.com)



## BS-30 Mechanical



### General Specifications

Material: Polyurethane  
Pressure Sensitive Adhesive: Synthetic Rubber -or- Acrylic  
Durometer, Shore A: 60-70 Standard  
Tolerance:  $\pm 0.02"$  (.5mm)

Pad Size: Supplied as single cut.  
Per Pad: 1 Piece  
Per Box: 500 Pieces  
Colors: Clear, Black, Brown, White & Gray