

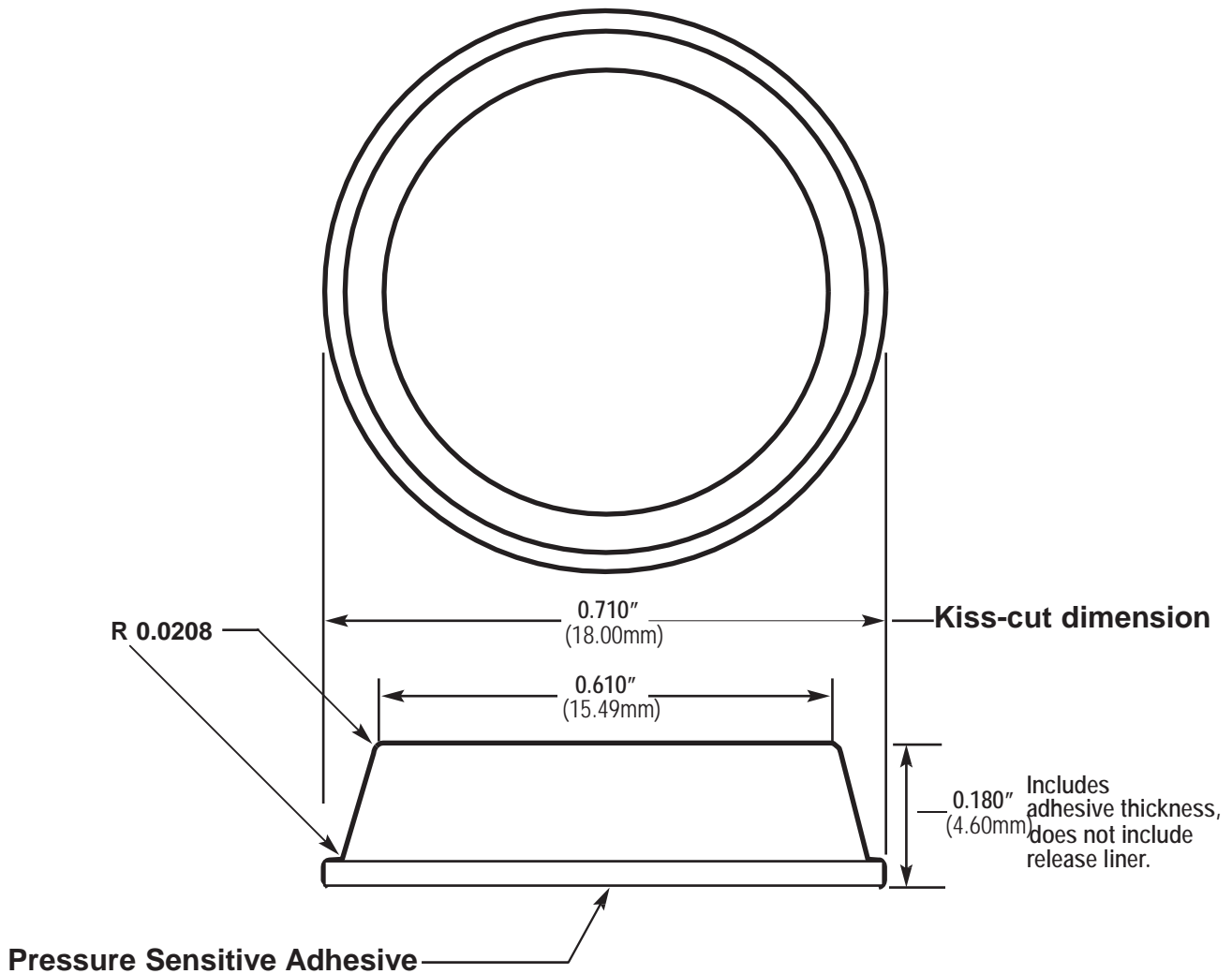
WNC Supply, LLC

37841 N 16TH Street, Phoenix, Arizona 85086, USA

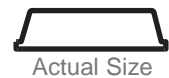
Phone: 623-594-4602 or Toll Free 1-800-538-5108

Fax: 623-594-3769 www.wncsupply.com

email: sales@wncsupply.com



BS-45 Mechanical



General Specifications

Material: Polyurethane
Pressure Sensitive Adhesive: Acrylic -or- Synthetic Rubber
Durometer, Shore A: 60-70 Standard
Tolerance: $\pm 0.02''$ (.5mm)

Pad Size: 6" x 12"
Per Pad: 98 Pieces — 7 across x 14 down
Per Box: 2,450 Pieces — 25 Pads
Colors: Clear and Black